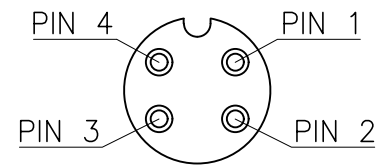
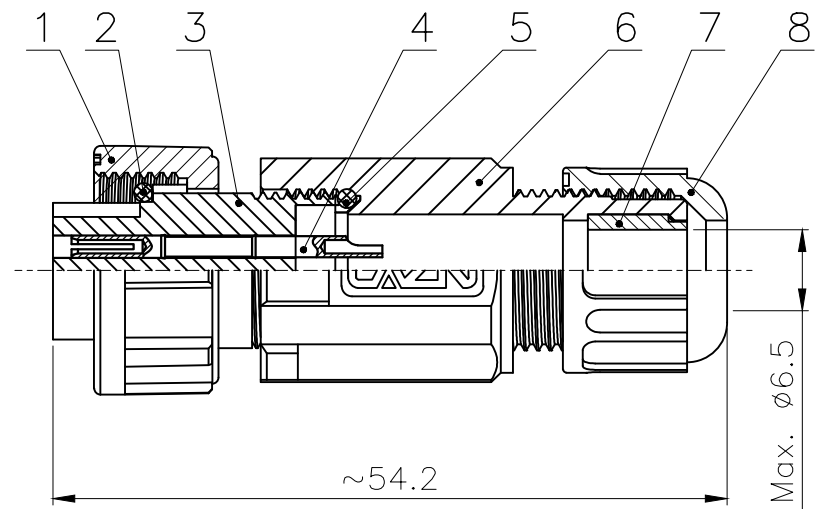
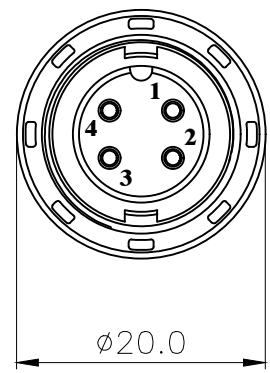


1	2	3	4	5	6
Rev.	Change Description		ECN #	Date	



VIEW A

8	Line lock nut	Nylon	/	pc	1
7	Assembled waterproof rubber plug	silica gel	/	pc	1
6	E10 Plug type body	Nylon	/	pc	1
5	Waterproof sealing O-ring	NBR	/	pc	1
4	E type Female contact pin	Phosphor Copper	Gold plated	pc	4
3	E10 Hole type socket shell (4 core)	Nylon	/	pc	1
2	E10 Insulator O ring $\phi 12 \times \phi 9 \times 1.5$	NBR	/	pc	1
1	E10 Thread type Connecting nut	Nylon	/	pc	1
No.	Specification	Material	Treat	Unit	Q'ty

Technical specifications:		Materials:	
Coupling:	Threaded connection	Shell material:	PA66+GF UL94 black
Termination:	Soldering	Contact material:	Phosphor Copper Gold plated
Pollution degree:	3	Insert material:	PA66+GF UL94 black
Temperature range:	-45°C ~ +105°C	Sealing:	NBR
Degree of protection:	IP67		
Mating cycles:	≥500		
Rated voltage:	60V AC/DC		
Rated current:	5A		

All parts are RoHS compliant

GENERAL TOLERANCE (UNLESS SPECIFIED)	DWN	DATE	
	LL	2022.8.15	
	CHK	DATE	
	APVD	DATE	TITLE E10 Straight Female Field Installable Plug (4 core)
 THIRD ANGLE	UNIT	REV	PART NO
	MM	A	E10001-04A000000
	SIZE	SHEET	DRAWING NO
	A4	1 OF 1	E10P-TA1-S4